

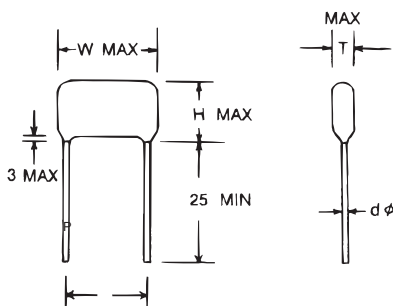
INTRODUCTION

N series is constructed with polyester film dielectric, aluminum foil electrode, copperly lead, and epoxy resin coating. They are ideal for commercial and industrial use and completely noiseless in small signal circuits.

FEATURES

- High stability, reliability
- Excellent environmental performance
- Low ESR and minimized dissipation factor
- Non-inductive construction

DIAGRAM



SPECIFICATIONS

Type	Performance
Operating Temperature	-40°C ~ +85°C
Capacitance Range	0.001μF ~ 0.47 μF
Capacitance Tolerance	±5%(J), ±10%(K), ±20%(M)
Rated Voltage	50 ~ 630VDC
Dissipation Factor	0.8% max at 1KHz 25°C
Insulation Resistance	>20000M Ω (C < 0.1 μf) >2000M Ω×μf (C > 0.1 μf)

PART NUMBER EXAMPLE

N 103 K 1H

DIMENSIONS in mm

W.V.	Code	50VDC (1H) 100VDC (2A)					200VDC (2D)				
		W	H	T	P	dφ	W	H	T	P	dφ
0.0010	102	11.0	8.0	5.0	7.0 ± 1.0	0.6	11.0	8.0	5.0	7.0 ± 1.0	0.6
0.0015	152	11.0	8.0	5.0	7.0 ± 1.0	0.6	11.0	8.0	5.0	7.0 ± 1.0	0.6
0.0022	222	11.0	8.0	5.0	7.0 ± 1.0	0.6	11.0	8.0	5.0	7.0 ± 1.0	0.6
0.0033	332	11.0	8.0	5.0	7.0 ± 1.0	0.6	11.0	8.0	5.0	7.0 ± 1.0	0.6
0.0047	472	11.0	8.5	5.0	7.0 ± 1.0	0.6	11.0	8.5	5.0	7.0 ± 1.0	0.6
0.0068	682	11.0	9.5	6.0	7.0 ± 1.0	0.6	11.0	9.5	5.0	7.0 ± 1.0	0.6
0.0100	103	11.0	10.0	6.0	7.0 ± 1.0	0.6	11.0	9.5	6.0	7.0 ± 1.0	0.6
0.0150	153	11.0	10.0	6.5	7.0 ± 1.0	0.6	14.0	10.0	6.0	10.0 ± 1.5	0.6
0.0220	223	11.0	10.5	6.5	7.0 ± 1.0	0.6	14.0	11.0	6.0	10.0 ± 1.5	0.6
0.0330	333	14.0	10.5	6.5	10.0 ± 1.5	0.6	14.0	13.0	7.0	10.0 ± 1.5	0.6
0.0470	473	14.0	11.0	7.0	10.0 ± 1.5	0.6	14.0	15.0	8.0	10.0 ± 1.5	0.6
0.0680	683	14.0	11.0	7.5	10.0 ± 1.5	0.6	20.0	16.0	9.0	15.0 ± 1.5	0.8
0.1000	104	14.0	13.0	8.0	10.0 ± 1.5	0.6	20.0	17.0	9.0	16.0 ± 1.5	0.8
0.1500	154	20.0	14.0	8.5	16.0 ± 1.5	0.8	20.0	18.0	10.0	16.0 ± 1.5	0.8
0.2200	224	20.0	16.0	9.0	16.0 ± 1.5	0.8	26.0	21.0	10.5	22.0 ± 1.5	0.8
0.3300	334	20.0	19.0	11.0	16.0 ± 1.5	0.8	26.0	22.0	11.5	22.0 ± 1.5	0.8
0.4700	474	26.0	20.0	11.0	21.0 ± 1.5	0.8	31.0	24.0	13.0	27.5 ± 1.5	0.8